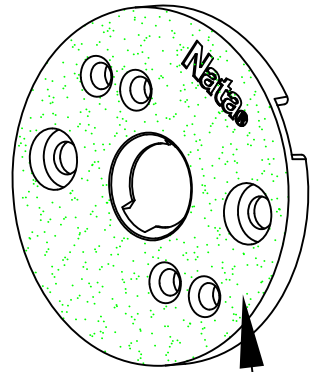
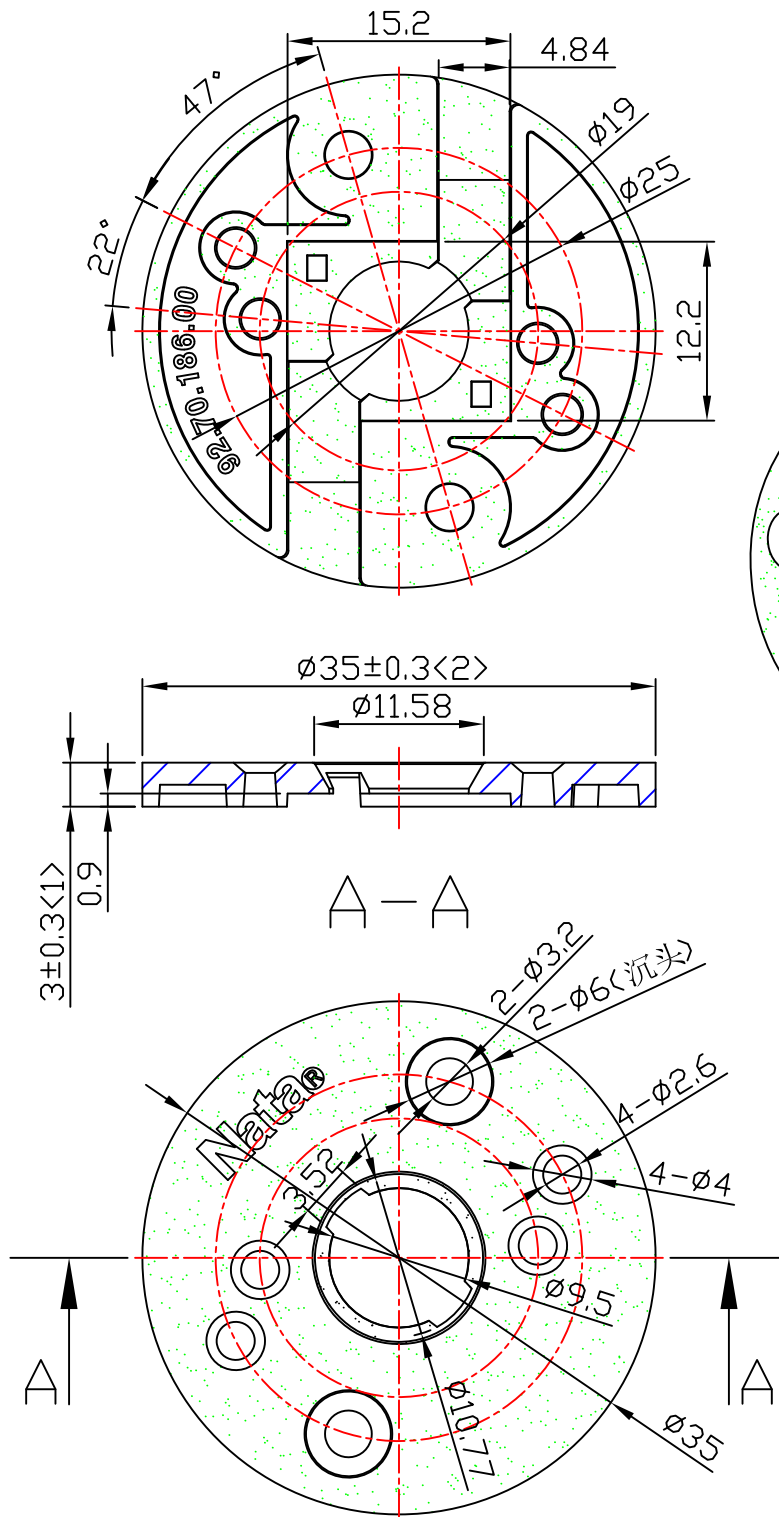


Table for unmentioned tolerance in the drawing (unit: mm)					
0-5	5-30	30-120	120-250	250-400	400-700
±0.15	±0.2	±0.5	±0.8	±1.5	±2



产品表面做沙纹

					Material:PC		Nata® NATA Lighting Co.,Ltd	
							Customer Item	
							Customer Code	NT
							Product Number	92.70.186.00
							Product Name	1202S平面支架 D35xH3
Mark	Amended Times	Amended Content			Signature	Amended Date		
Control Version	A0	Design Version	K0		Client Version			
Designer		Drawing by		Proportion	1:1			
Technology		Auditor		View				
Approval		Date	2019.05.14	Page	Total Page			